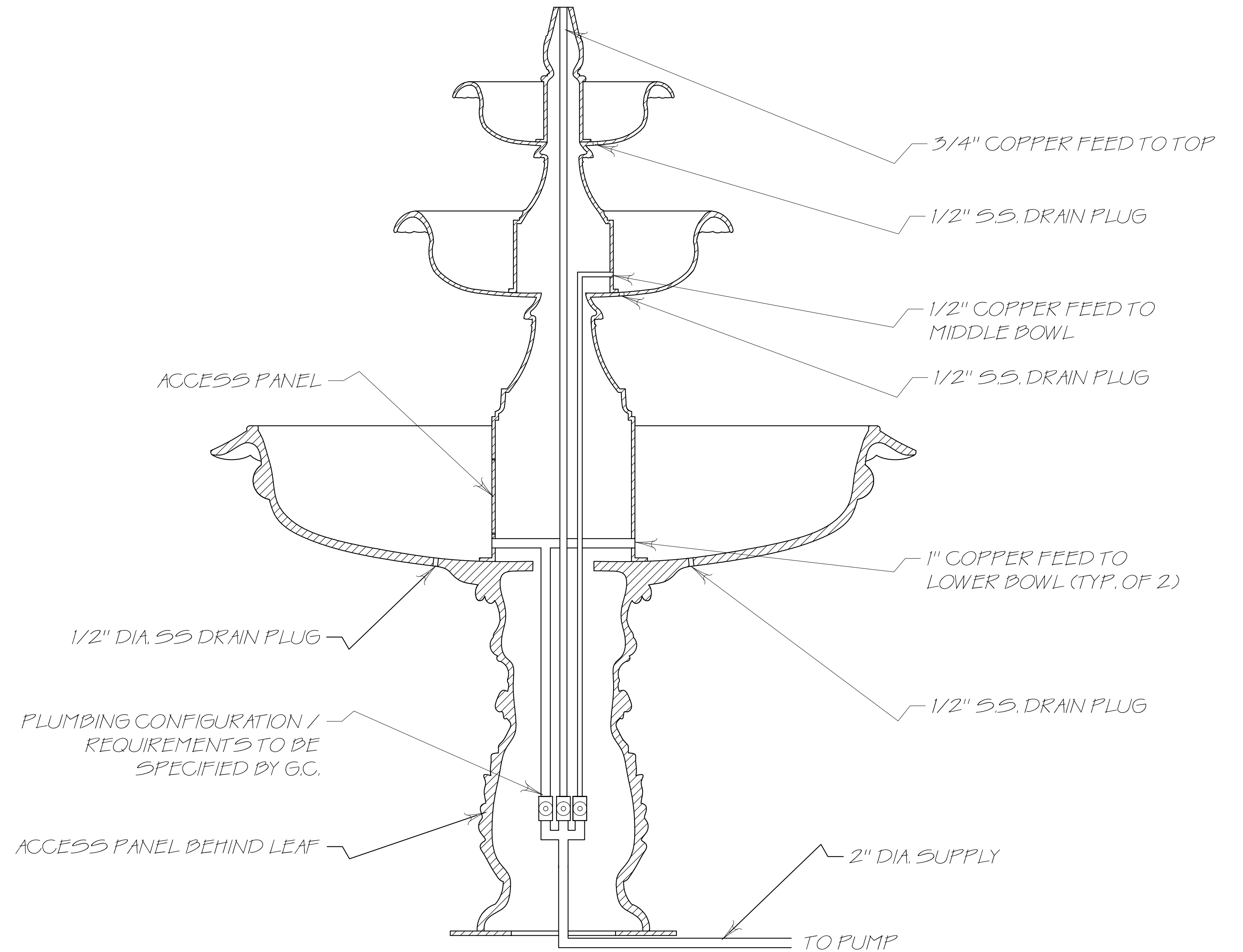
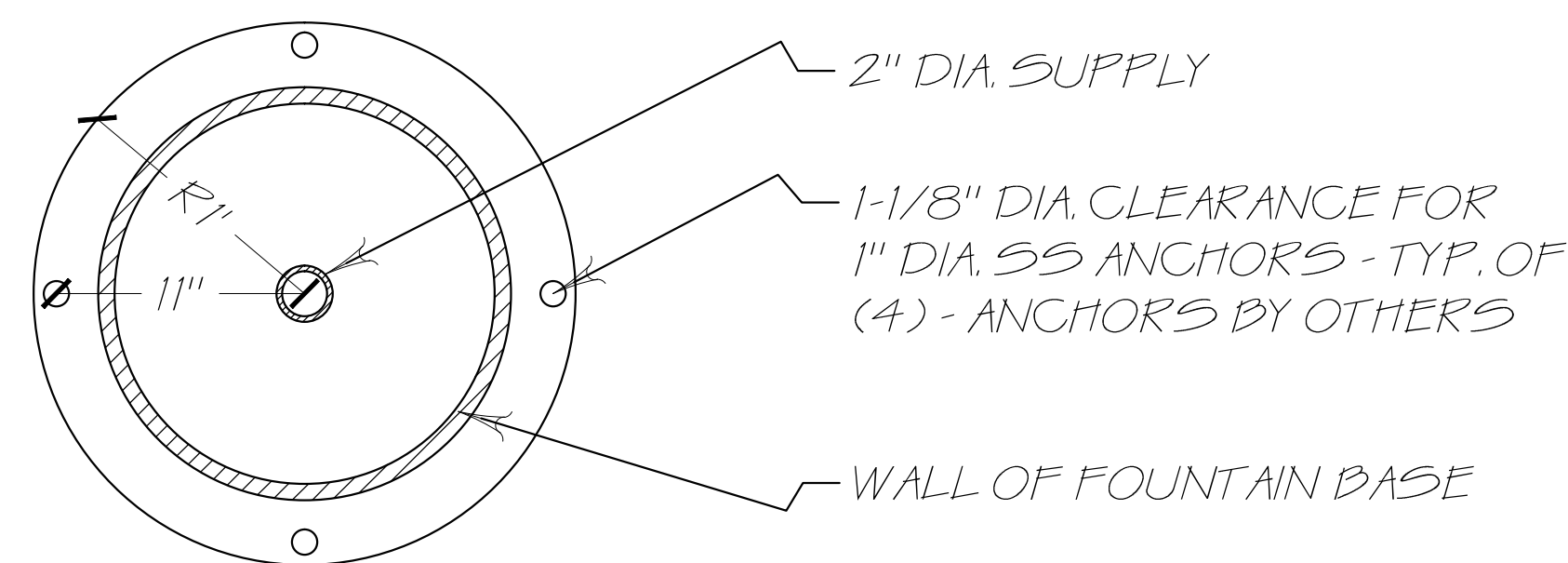


01 ELEVATION  
SCALE: 1-1/2" = 1'-0"



02 SECTION  
SCALE: 1-1/2" = 1'-0"



03 BASE SCHEMATIC  
SCALE: 1-1/2" = 1'-0"

SPECIFICATIONS / NOTES:

- \* FOUNTAIN MATERIAL: ASTM A48 CLASS 30 SAND-CAST GREY IRON
- \* BASE MATERIAL: STAINLESS STEEL
- \* UNDERCOATING / PRIMER: ZINC UNDERCOATING / 2-PART EPOXY PRIMER
- \* FINISH: HIGH SOLIDS POLYURETHANE (COLOR T.B.D. BY CLIENT)
- \* BASE TEMPLATE TO BE PROVIDED
- \* INSTALLATION, PLUMBING, AND ELECTRICAL - BY OTHERS