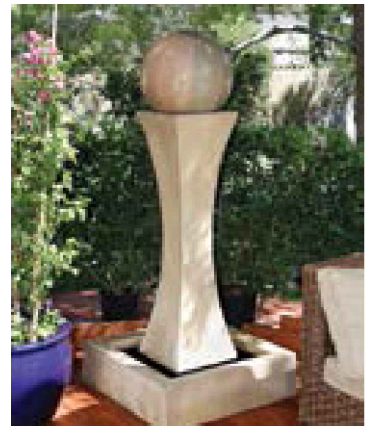
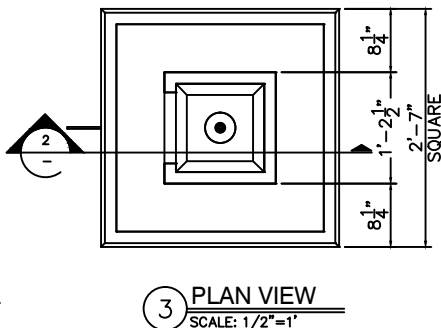
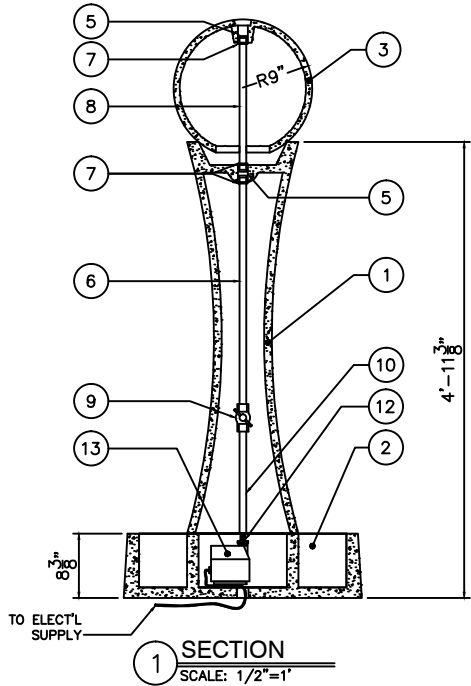
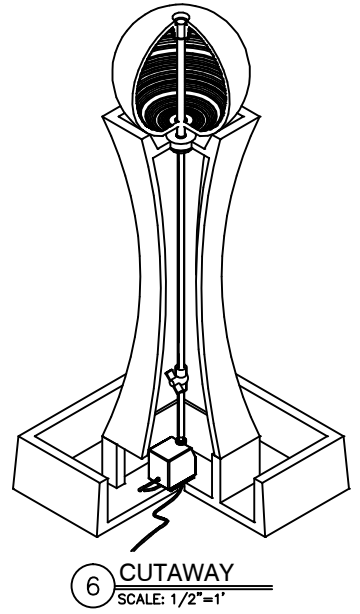
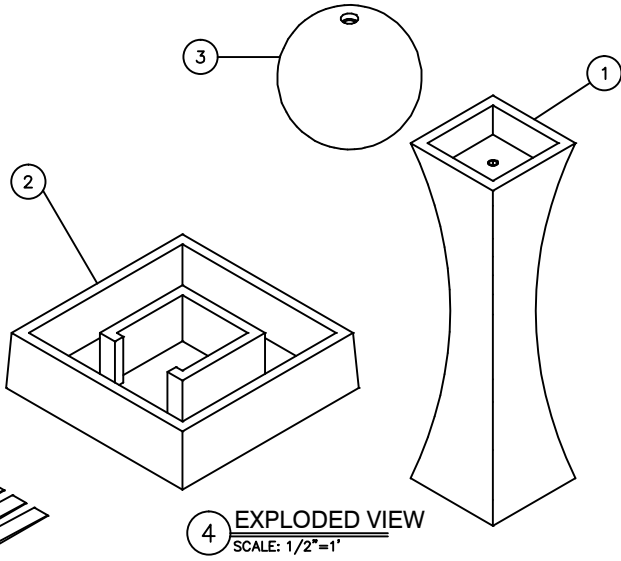
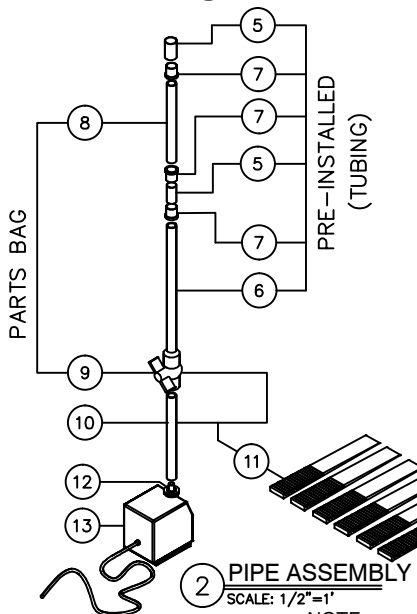


PARTS LIST


ITEM NO	COMPONENT	PART NO.	DESCRIPTION	MANUFACTURER	QTY	REMARKS
1	FOUNTAIN	-	51" H x 15"W x 15"L I FOUNTAIN - GFRC	GIST	1	COLOR OPTIONAL
2		-	31"W x 31"L x 8-3/8"D BASE - GFRC	GIST	1	COLOR OPTIONAL
3		-	18" DIA BALL - GFRC	GIST	1	COLOR OPTIONAL
5	TUBING	-	3/4" DIA PVC COUPLER SOCKET END	-	2	PRE-INSTALLED
6		-	1/2" DIA x 2'-11"LG PVC PIPE PLAIN END	-	1	PRE-INSTALLED
7		-	3/4" x 1/2" DIA PVC CONCENTRIC REDUCER SOCKET END	-	3	PRE-INSTALLED
8	PARTS BAG	A115	5/8" DIA x 24"L CLEAR VINYL PLAIN END	-	2	
9		A115	1/2" DIA PVC BALL VALVE	-	1	
10		A115	5/8" I.D. x 10"LG TUBING - CLEAR VINYL PLAIN END	-	1	
11		A115	SHIM PLASTIC	EZ - SHIM	6	
12		A115	1" x 1/2" DIA ADAPTER THREADED	-	1	
13	PUMP	-	MODEL 7 - WP3000, 800 GPH SUBMERSIBLE PUMP	JEBAO	1	OPTIONAL



5 ASSEMBLY
SCALE: N.T.S.



NOTE:
Electrical supply must conform with local & national regulation/codes. If in doubt consult an electrician.
To ease connections hot water may be used to soften PVC tubing. Pump and plumbing details may vary.
Precautions should be taken to prevent damage from water freezing in reservoir.

I FOUNTAIN WITH BALL	
PRODUCT i WITH BALL	DRAWING NO IIIF - BALL
DRAWING DATE 10-14-05	SHEET. NO. 1 OF 1
	
COPYRIGHT 2008 GIST DECOR 2012 GIST PRODUCTS ALL RIGHTS RESERVED	