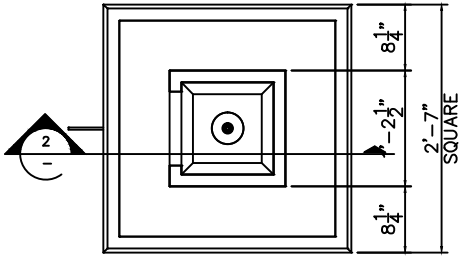


PARTS LIST

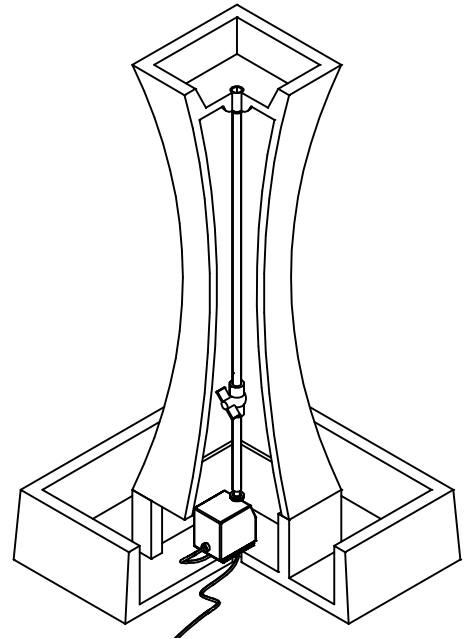
ITEM NO	COMPONENT	PART NO.	DESCRIPTION	MANUFACTURER	QTY	REMARKS
1	FOUNTAIN	-	51" H x 15"W x 15"L I FOUNTAIN - GFRC	GIST	1	COLOR OPTIONAL
2		-	31"W x 31"L x 8-3/8"D BASE - GFRC	GIST	1	COLOR OPTIONAL
4	TUBING	-	3/4" DIA PVC COUPLER SOCKET END	-	1	PRE-INSTALLED
5		-	3/4"x1/2" DIA PVC CONCENTRIC REDUCER SOCKET END	-	1	PRE-INSTALLED
6		-	1/2" DIA x 2'-11"LG PVC PIPE PLAIN END	-	1	PRE-INSTALLED
7	PARTS BAG	A101	1/2" DIA BALL VALVE PVC SCH. 40 150 PSI	-	1	
8		A101	5/8" O.D. x 2'LG TUBING - CLEAR VINYL PLAIN END	-	1	
9		A101	SHIM PLASTIC	EZ - SHIM	4	
10	PUMP		1"x1/2" DIA ADAPTER THREADED	JEAN TECH INC.	1	
11		-	MODEL 7 - WP3000, 800 GPH SUBMERSIBLE PUMP	JEBAO	1	OPTIONAL



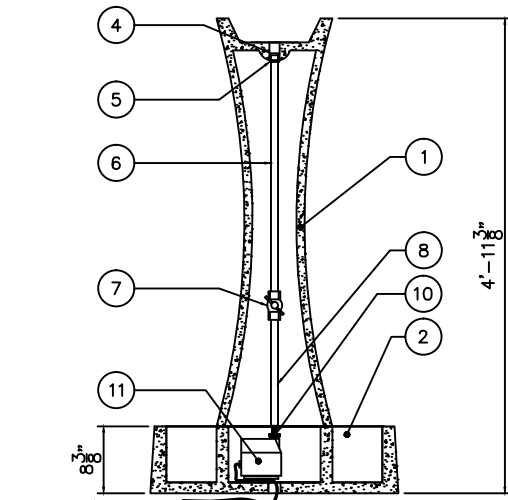
1 PLAN VIEW  
SCALE: 1/2"=1'



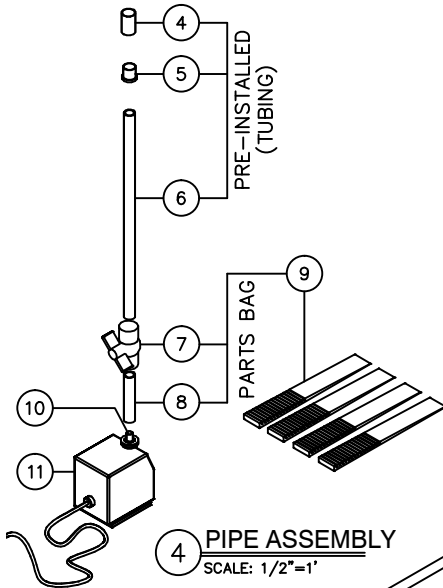
3 ASSEMBLY  
SCALE: N.T.S.



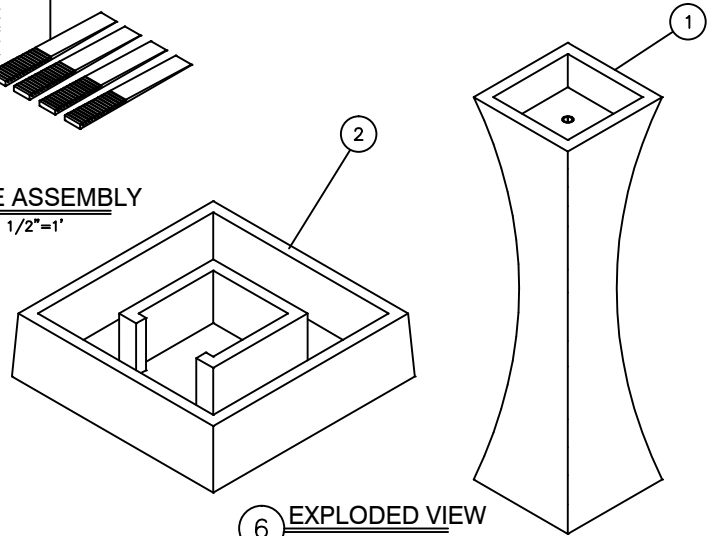
5 CUTAWAY  
SCALE: 1/2"=1'



2 SECTION  
SCALE: 1/2"=1'



4 PIPE ASSEMBLY  
SCALE: 1/2"=1'



6 EXPLODED VIEW  
SCALE: 1/2"=1'

NOTE:

Electrical supply must conform with local & national regulation/codes. If in doubt consult an electrician.  
To ease connections hot water may be used to soften PVC tubing. Pump and plumbing details may vary.  
Precautions should be taken to prevent damage from water freezing in reservoir.



I FOUNTAIN

PRODUCT

DRAWING DATE  
10-07-05



DWG NO. / SKU:  
IIIF

SHEET. NO. 1 OF 1