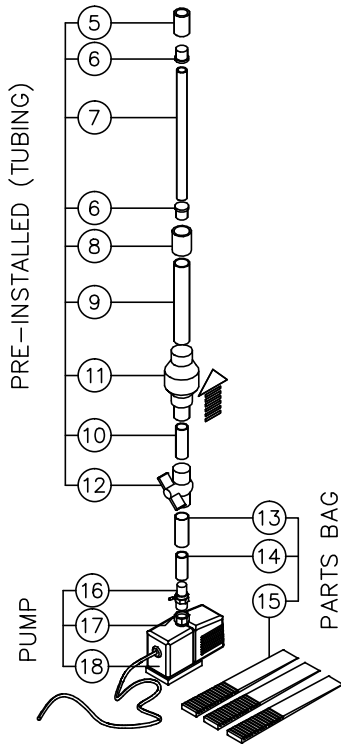


PARTS LIST

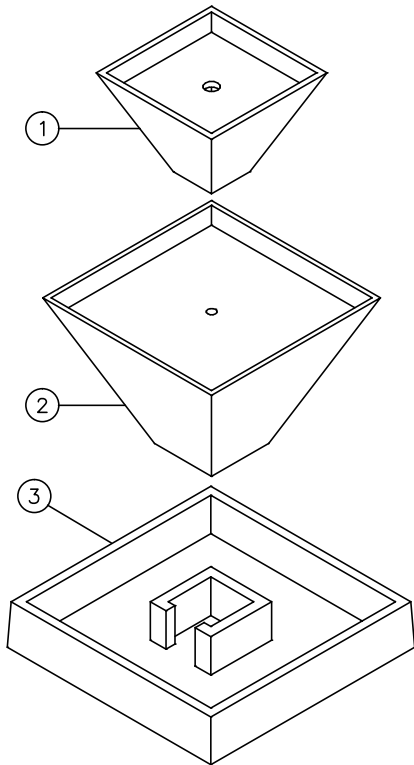
ITEM NO	COMPONENT	PART NO.	DESCRIPTION	MANUFACTURER	QTY	REMARKS
1	FOUNTAIN	-	24-3/4"W x 24-3/4"L x 18"D OBLIQUE FTN. (SMALL) GFRC	GIST	1	COLOR OPTIONAL
2		-	26-1/2"W x 26-1/2"L x 35-1/2"D OBLIQUE FTN. (LARGE) GFRC	GIST	1	COLOR OPTIONAL
3		-	42-3/4"W x 42-3/4"L x 8-5/16" D SQUARE BASE - GFRC	GIST	1	COLOR OPTIONAL
				GIST	1	BLACK
5	TUBING	-	3/4" DIA PVC COUPLER SOCKET END	-	1	PRE-INSTALLED
6		-	1/2" x 3/4" DIA PVC CONCENTRIC REDUCER SOCKET END	-	2	PRE-INSTALLED
7		-	1" DIA x 10" LG PVC PIPE PLAIN END	-	1	PRE-INSTALLED
8		-	1" DIA PVC COUPLER SOCKET END	-	1	PRE-INSTALLED
9		-	1" DIA x 10-3/4" LG PVC PIPE PLAIN END	-	1	PRE-INSTALLED
10		-	3/4" DIA x 3" LG CONNECTOR PVC PIPE PLAIN END	-	1	PRE-INSTALLED
11		-	1" DIA NON-RETURN VALVE PVC SCH. 40 200 PSI (CHECK VALVE)	-	1	PRE-INSTALLED
12		-	3/4" DIA BALL VALVE PVC SCH. 40 150 PSI	-	1	PRE-INSTALLED
13	PARTS BAG	A106	7/8" I.D. x 6"L HOSE TAIL - CLEAR VINYL PLAIN END	-	1	
14		A106	5/8" I.D. x 6"L HOSE TAIL - CLEAR VINYL PLAIN END	-	1	
15		A106	SHIM PLASTIC	EZ - SHIM	4	
16	PUMP	-	1/2" DIA THREADED, SLIP ON DISCHARGE ADAPTER WITH VENTURI	COMMODITY AXIS INC.	1	
17		-	1/2" DIA THREADED DISCHARGE ADAPTER	COMMODITY AXIS INC.	1	
18		-	MODEL 1200 - WP3500, 1100 GPH SUBMERSIBLE PUMP	JEBAO	1	OPTIONAL



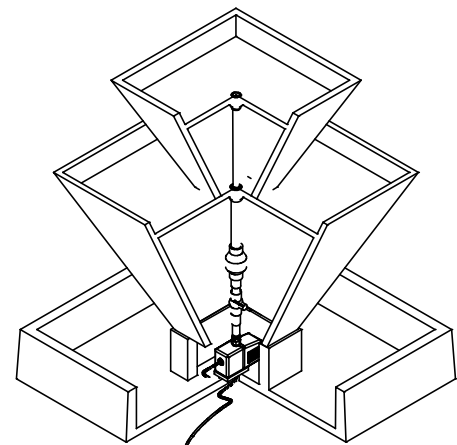
1 ASSEMBLY
SCALE: N.T.S.



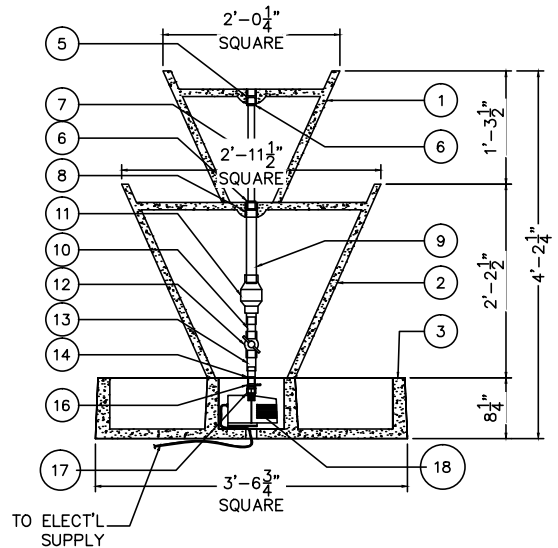
2 PIPE ASSEMBLY
SCALE: 1/2"=1'



3 EXPLODED VIEW
SCALE: 1/2"=1'



4 CUTAWAY
SCALE: 1/2"=1'



5 SECTION
SCALE: 1/2"=1'

NOTE:

Electrical supply must conform with local & national regulation/codes. If in doubt consult an electrician.
To ease connections hot water may be used to soften PVC tubing. Pump and plumbing details may vary.
Precautions should be taken to prevent damage from water freezing in reservoir.



DOUBLE OBLIQUE FOUNTAIN

PRODUCT
DOUBLE OBLIQUE
DRAWING DATE
09-07-05



DRAWING NO
OBDP

SHEET NO. 1 OF 1