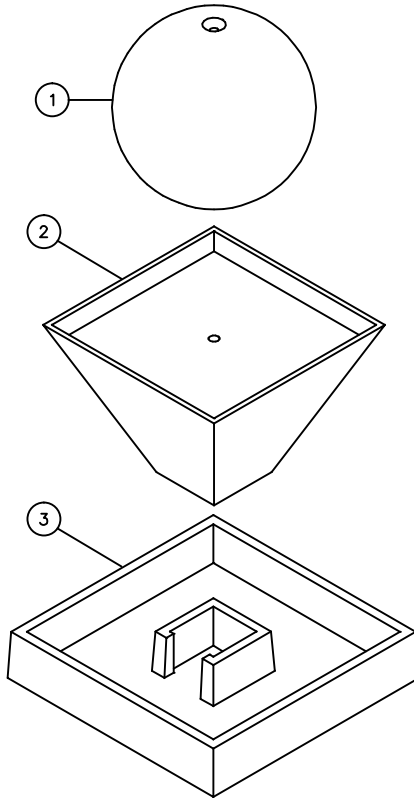


PARTS LIST

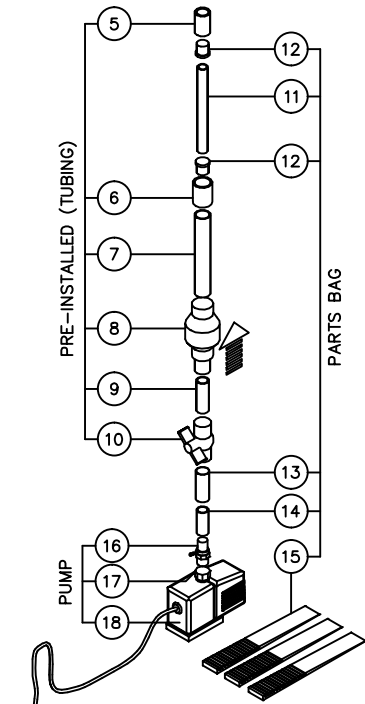
ITEM NO	COMPONENT	PART NO.	DESCRIPTION	MANUFACTURER	QTY	REMARKS
1	FOUNTAIN	-	30" DIA BALL - GFRC	GIST	1	COLOR OPTIONAL
2		-	26-1/2"W x 26-1/2"L x 35-1/2"D OBLIQUE FTN. (LARGE) GFRC	GIST	1	COLOR OPTIONAL
3		-	42-1/2"W x 42-1/2"L x 18-1/2"D SQUARE BASE - GFRC	GIST	1	COLOR OPTIONAL
5	TUBING	-	3/4" DIA PVC COUPLER SOCKET END	-	2	PRE-INSTALLED
6		-	1" DIA PVC COUPLER SOCKET END	-	1	PRE-INSTALLED
7		-	1" DIA x 10-3/4"LG PVC PIPE PLAIN END	-	1	PRE-INSTALLED
8		-	1" DIA NON-RETURN VALVE PVC SCH. 40 200 PSI (CHECK VALVE)	-	1	PRE-INSTALLED
9		-	3/4" DIA x 3" LG CONNECTOR PVC PIPE PLAIN END	-	1	PRE-INSTALLED
10		-	3/4" DIA BALL VALVE PVC SCH. 40 150 PSI	-	1	PRE-INSTALLED
11	PARTS BAG	A117	5/8" I.D. x 36"LG TUBE - CLEAR VINYL PLAIN END	-	1	
12		A117	1/2" x 3/4" DIA PVC CONCENTRIC REDUCER SOCKET END	-	2	
13		A117	7/8" I.D. x 6"L HOSE TAIL - CLEAR VINYL PLAIN END	-	1	
14		A117	5/8" I.D. x 6"L HOSE TAIL - CLEAR VINYL PLAIN END	-	1	
15		A117	SHIM PLASTIC	EZ - SHIM	10	
16	PUMP	-	1/2" DIA THREADED, SLIP ON DISCHARGE ADAPTER WITH VENTURI	COMMODITY AXIS INC.	1	
17		-	1/2" DIA THREADED DISCHARGE ADAPTER	COMMODITY AXIS INC.	1	
18		-	MODEL 1200 - WP3500, 1100 GPH SUBMERSIBLE PUMP	JEBAO	1	



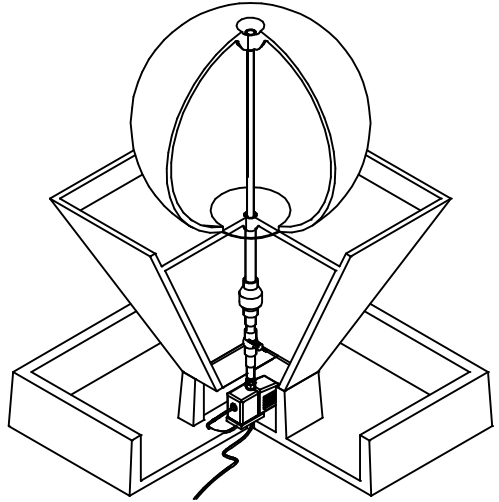
1 ASSEMBLY
SCALE: N.T.S.



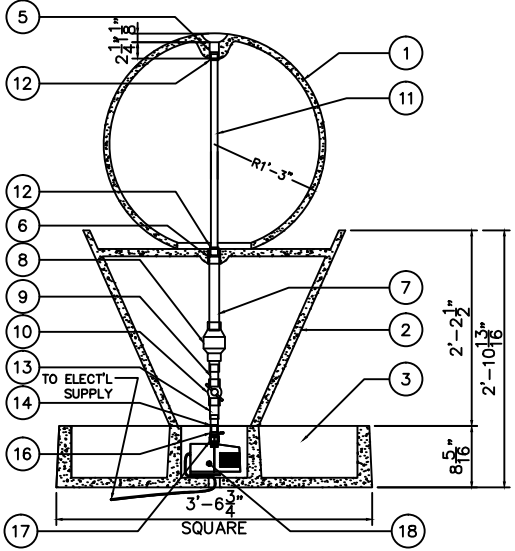
3 EXPLODED VIEW
SCALE: 1/2"=1"



2 PIPE ASSEMBLY
SCALE: 1/2"=1"



4 CUTAWAY
SCALE: 1/2"=1"



5 SECTION
SCALE: 1/2"=1"

NOTE:

Electrical supply must conform with local & national regulation/codes. If in doubt consult an electrician.
To ease connections hot water may be used to soften PVC tubing. Pump and plumbing details may vary.
Precautions should be taken to prevent damage from water freezing in reservoir.



LARGE OBLIQUE FOUNTAIN WITH BALL	
PRODUCT OBLIQUE WITH BALL - LARGE	DWG NO. / SKU: OBLF BALL
DRAWING DATE 11-04-05	SHEET NO. 1 OF 1
COPYRIGHT 2008 GIST DECOR 2012 GIST PRODUCTS ALL RIGHTS RESERVED	