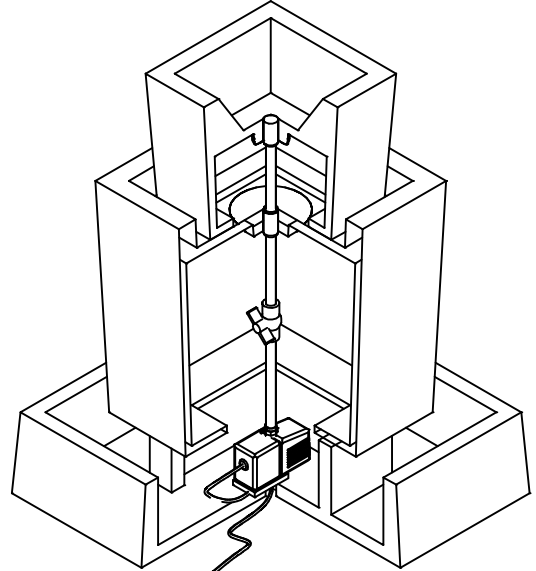


PARTS LIST

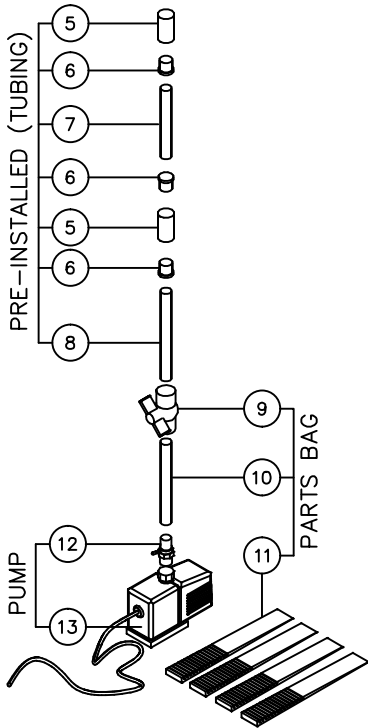
ITEM NO	COMPONENT	PART NO.	DESCRIPTION	MANUFACTURER	QTY	REMARKS
1	FOUNTAIN	-	20"H x 15"W OBTUSE FOUNTAIN - GFRC	GIST	1	COLOR OPTIONAL
2		-	56"H x 32"W 315lbs. OBTUSE FOUNTAIN - GFRC	GIST	1	COLOR OPTIONAL
3		-	2'8 1/4"W x 2'8 1/4"L x 8 7/8"H SQUARE BASE - GFRC	GIST	1	COLOR OPTIONAL
5	TUBING	-	3/4" DIA PVC COUPLER SOCKET END	-	2	PRE-INSTALLED
6		-	1/2" x 3/4" DIA PVC CONCENTRIC REDUCER SOCKET END	-	3	PRE-INSTALLED
7		-	1" DIA x 10"LG PVC PIPE PLAIN END	-	1	PRE-INSTALLED
8		-	1" DIA x 1'LG PVC PIPE PLAIN END	-	1	PRE-INSTALLED
9	PARTS BAG	A101	1/2" DIA BALL VALVE PVC SCH. 40 150 PSI	-	1	
10		A101	5/8" I.D. x 10"LG TUBING - CLEAR VINYL PLAIN END	-	1	
11		A101	SHIM PLASTIC	EZ - SHIM	4	
12	PUMP	-	1 1/2" DIA THRD,SLIP ON DISCHARGE ADAPTER W/ VENTURI	COMMODITY AXIS INC.	1	
13		-	MODEL 950 - WP3500, 1100 GPH SUBMERSIBLE PUMP	JEBAO	1	OPTIONAL



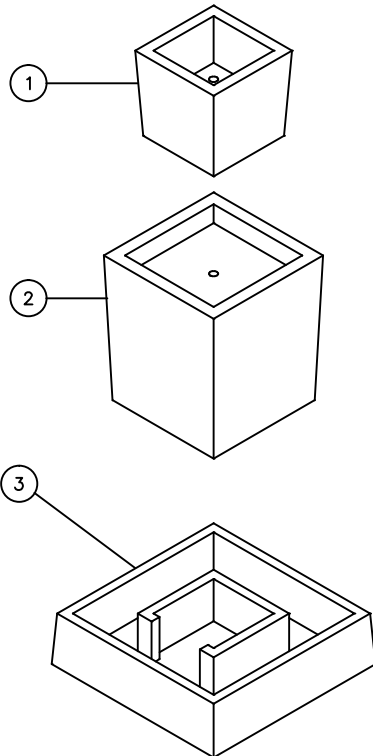
1 ASSEMBLY
SCALE: N.T.S.



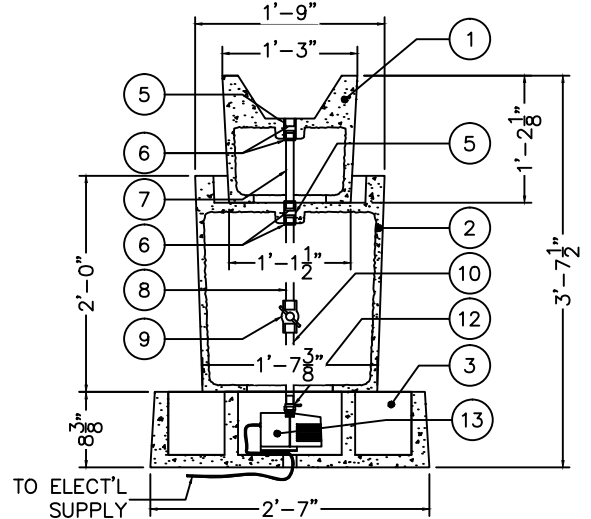
4 CUTAWAY
SCALE: 9/16"=1'



2 PIPE ASSEMBLY
SCALE: N.T.S.



3 EXPLODED VIEW
SCALE: 9/16"=1'



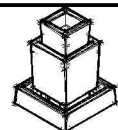
5 SECTION
SCALE: 9/16"=1'

NOTE:
Electrical supply must conform with local & national regulation/codes. If in doubt consult an electrician.
To ease connections hot water may be used to soften PVC tubing. Pump and plumbing details may vary.
Precautions should be taken to prevent damage from water freezing in reservoir.



DOUBLE OBTUSE FOUNTAIN

PRODUCT
DOUBLE OBTUSE
DRAWING DATE
08-17-05



DWG NO. / SKU
OBTDF

SHEET NO. 1 OF 1