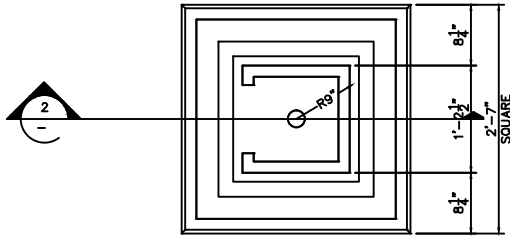
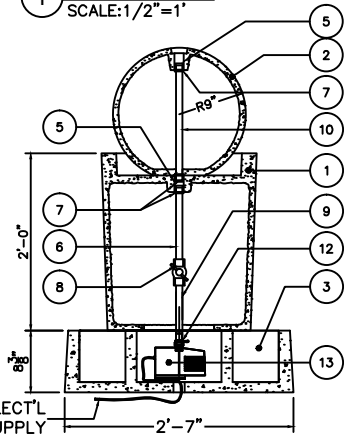


PARTS LIST

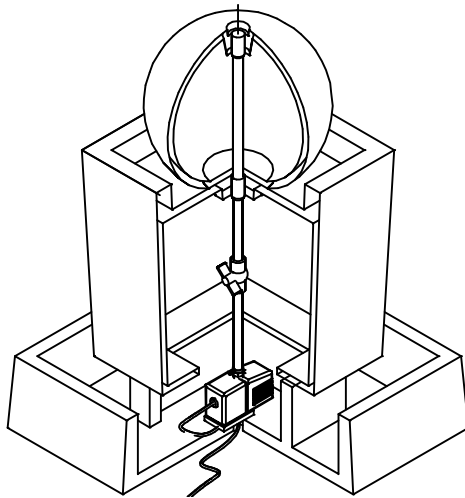
ITEM NO	COMPONENT	PART NO.	DESCRIPTION	MANUFACTURER	QTY	REMARKS
1	FOUNTAIN	-	56"H x 32"W 315lbs. OBTUSE FOUNTAIN - GFRC	GIST	1	COLOR OPTIONAL
2		-	18" DIA BALL - GFRC	GIST	1	COLOR OPTIONAL
3		-	2'8 1/4"W x 2'8 1/4"L x 8 7/8"H SQUARE BASE - GFRC	GIST	1	COLOR OPTIONAL
5	TUBING	-	3/4" DIA PVC COUPLER SOCKET END	-	2	PRE-INSTALLED
6		-	1/2" DIA x 1'LG PVC PIPE PLAIN END	-	1	PRE-INSTALLED
7		-	3/4"x1/2" DIA PVC CONCENTRIC REDUCER SOCKET END	-	1	PRE-INSTALLED
7	PARTS BAG	A115	3/4"x1/2" DIA PVC CONCENTRIC REDUCER SOCKET END	-	2	
8		A115	1/2" DIA BALL VALVE PVC SCH. 40 150 PSI	-	1	
9		A115	5/8" I.D. x 10"LG TUBING - CLEAR VINYL PLAIN END	-	1	
10		A115	5/8" I.D. x 24"LG TUBING - CLEAR VINYL PLAIN END	-	1	
11		A115	SHIM PLASTIC	EZ - SHIM	6	
12	PUMP	-	1"x1/2" DIA THREADED, SLIP DISCHARGE ADAPTER WITH VENTURI	COMMODITY AXIS INC.	1	
13		-	WP3500, 1100 GPH SUBMERSIBLE PUMP	JEBAO	1	



1 PLAN VIEW
SCALE: 1/2"=1'



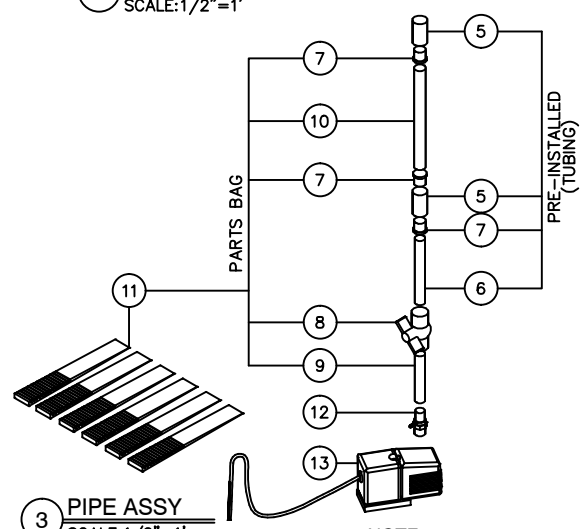
2 SECTION
SCALE: 1/2"=1'



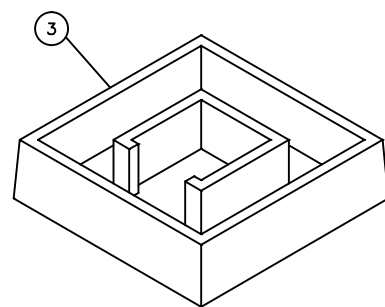
4 CUTAWAY
SCALE: 1/2"=1'



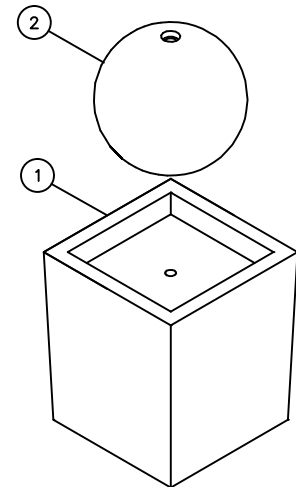
6 ASSEMBLY
SCALE: N.T.S



3 PIPE ASSY
SCALE: 1/2"=1'



5 EXPLODED VIEW
SCALE: 1/2"=1'



NOTE:

Electrical supply must conform with local & national regulation/codes. If in doubt consult an electrician.
To ease connections hot water may be used to soften PVC tubing. Pump and plumbing details may vary.
Precautions should be taken to prevent damage from water freezing in reservoir.



OBTUSE FOUNTAIN WITH BALL

PRODUCT OBTUSE WITH BALL	DWG NO. / SKU: OBTF - BALL
DRAWING DATE 07-21-05	SHEET NO. 1 OF 1