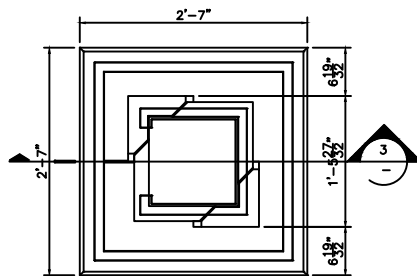


PARTS LIST

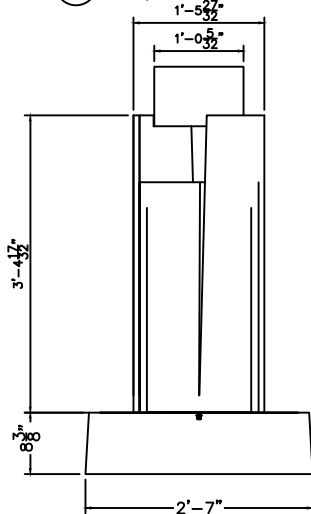
ITEM NO	COMPONENT	PART NO.	DESCRIPTION	MANUFACTURER	QTY	REMARKS
1	FOUNTAIN	-	40" x 17"W x 17"L ROCKET FOUNTAIN - GFRC	GIST	1	COLOR OPTIONAL
2		-	12"W x 12"L x 8"D MINI CAP - GFRC	GIST	1	COLOR OPTIONAL
3		-	2'8 1/4"W x 2'8 1/4"L x 8 7/8"H SQUARE BASE - GFRC	GIST	1	COLOR OPTIONAL
4		-	2'4 3/4"W x 2'4 3/4"L x 6 1/2"H SQUARE BASEN - PLASTIC	GIST	1	COLOR OPTIONAL
5	TUBING	-	3/4" DIA PVC COUPLER SOCKET END	-	1	PRE-INSTALLED
6		-	3/4"x1/2" DIA PVC CONCENTRIC REDUCER SOCKET END	-	1	PRE-INSTALLED
7		-	1/2" DIA x 20"LG PVC PIPE PLAIN END	-	1	PRE-INSTALLED
8	PARTS BAG	A101	1/2" DIA BALL VALVE PVC SCH. 40 150 PSI	-	1	
9		A101	5/8" I.D. x 10"LG TUBING - CLEAR VINYL PLAIN END	-	1	
10		A101	SHIM PLASTIC	EZ - SHIM	4	
11	PUMP	-	1"x1/2" DIA ADAPTER THREADED	JEAN TECH INC.	1	
12		-	MODEL 7-WP3000, 800 GPH SUBMERSIBLE PUMP	JEBAO	1	



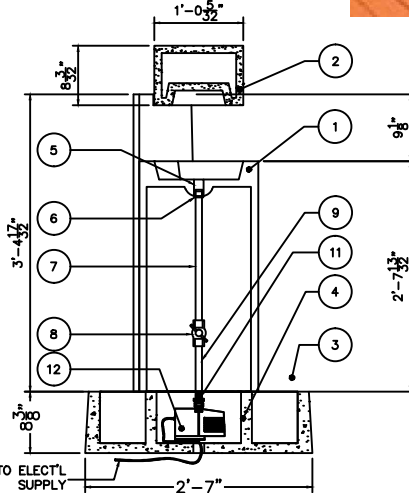
1 PLAN VIEW
SCALE: 1/2"=1'



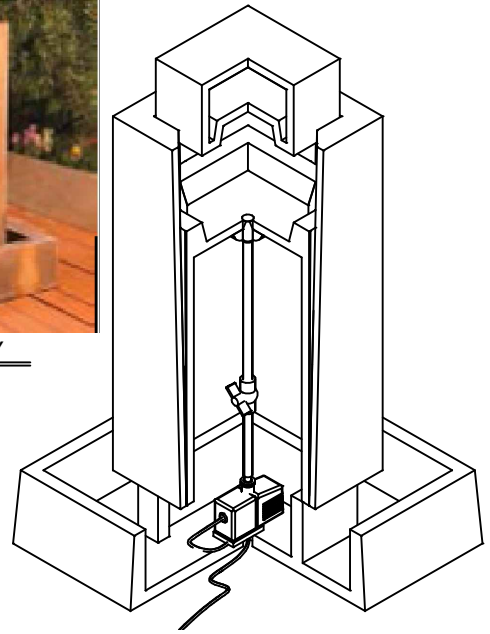
5 ASSEMBLY
SCALE: N.T.S.



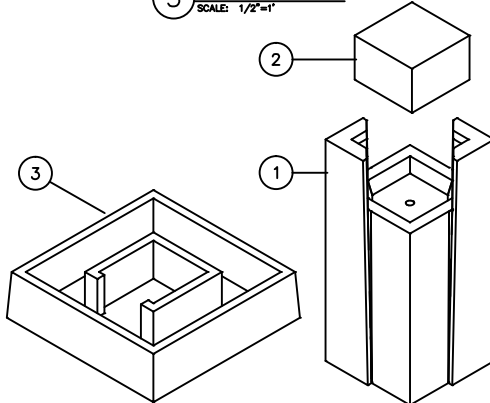
2 ELEVATION
SCALE: 1/2"=1'



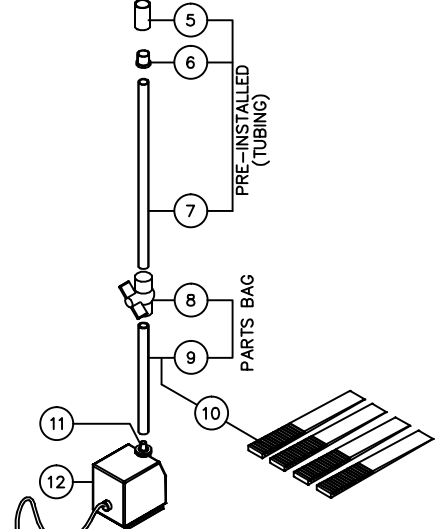
3 SECTION
SCALE: 1/2"=1'



6 CUTAWAY
SCALE: 1/2"=1'



4 EXPLODED VIEW
SCALE: 1/2"=1'



7 PIPE ASSEMBLY
SCALE: 1/2"=1'

NOTE:

Electrical supply must conform with local & national regulation/codes. If in doubt consult an electrician.
To ease connections hot water may be used to soften PVC tubing. Pump and plumbing details may vary.
Precautions should be taken to prevent damage from water freezing in reservoir.



ROCKET FOUNTAIN	
PRODUCT ROCKET	DWG NO. / SKU: RCKT
DRAWING DATE 10-18-05	SHEET NO. 1 OF 1
COPYRIGHT 2008 GIST DECOR 2012 GIST PRODUCTS ALL RIGHTS RESERVED	