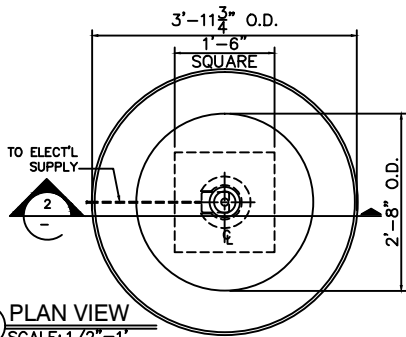
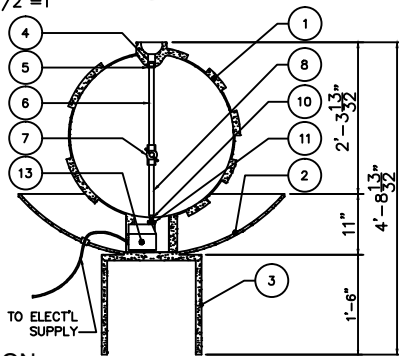


PARTS LIST

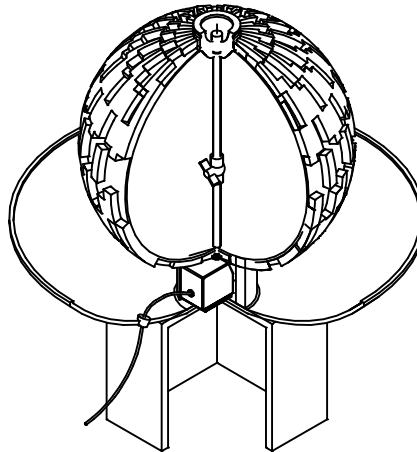
ITEM NO	COMPONENT	PART NO.	DESCRIPTION	MANUFACTURER	QTY	REMARKS
1	FOUNTAIN	-	32" DIA BALL - GFRC	GIST	1	COLOR OPTIONAL
2		-	48" O.D. x 11"D ROUND BASE - GFRC	GIST	1	COLOR OPTIONAL
3		-	18"W x 18"H RISER BOX - GFRC	GIST	1	COLOR OPTIONAL
4	TUBING	-	3/4" DIA PVC COUPLER SOCKET END	-	1	PRE-INSTALLED
5		-	3/4"x1/2" DIA PVC CONCENTRIC REDUCER SOCKET END	-	1	PRE-INSTALLED
6		-	1/2" DIA x 10" LG PVC PIPE PLAIN END	-	1	PRE-INSTALLED
7	PARTS BAG	A100	1/2" DIA BALL VALVE PVC SCH. 40 150 PSI	-	1	
8		A100	5/8" I.D. x 6" LG TUBING - CLEAR VINYL PLAIN END	-	1	
9		A100	SHIM PLASTIC	EZ - SHIM	4	
10		A100	1/4" DIA RUBBER PLUG	-	1	
11	PUMP	-	1/2" I.D. x 2" L HOSE TAIL - CLEAR VINYL PLAIN END	JEAN TECH INC.	1	
12		-	1"x1/2" DIA ADAPTER THREADED	JEAN TECH INC.	1	
13		-	MODEL 2-PT505, 225 GPH SUBMERSIBLE PUMP	JEBAO	1	



1 PLAN VIEW
SCALE: 1/2"=1"



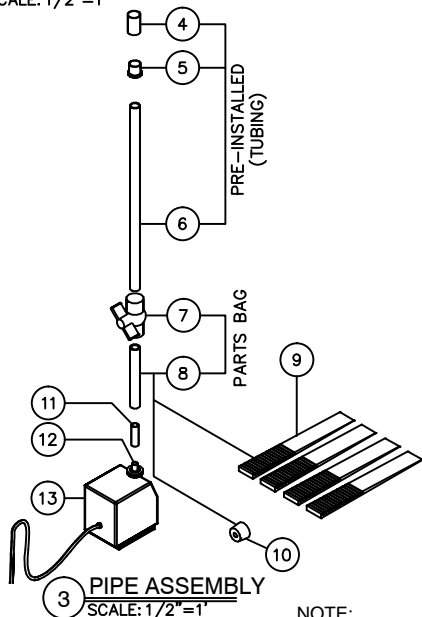
2 SECTION
SCALE: 1/2"=1"



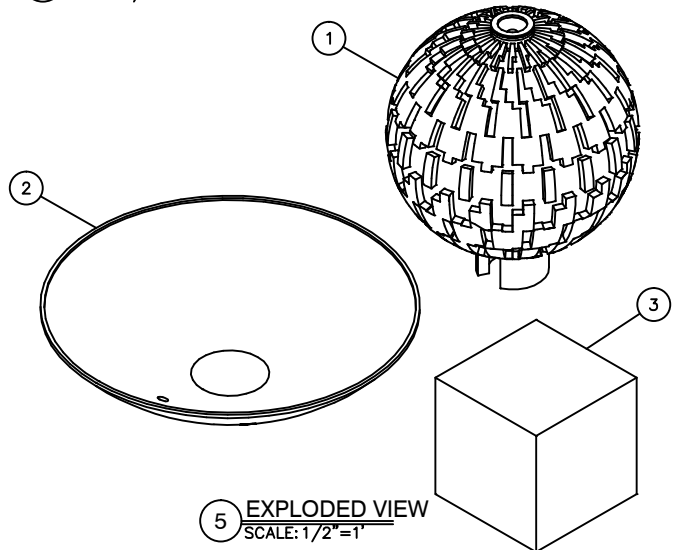
4 CUTAWAY
SCALE: 1/2"=1"



6 ASSEMBLY
SCALE: N.T.S.



3 PIPE ASSEMBLY
SCALE: 1/2"=1"



5 EXPLODED VIEW
SCALE: 1/2"=1"

NOTE:

Electrical supply must conform with local & national regulation/codes. If in doubt consult an electrician.

To ease connections hot water may be used to soften PVC tubing. Pump and plumbing details may vary.

Precautions should be taken to prevent damage from water freezing in reservoir.



RUBIX FOUNTAIN WITH WOK AND RISER

PRODUCT
RUBIX AND WOK WITH RISER
DRAWING DATE
07-26-05

DWG NO. / SKU:
RUBF - R

SHEET NO. 1 OF 1