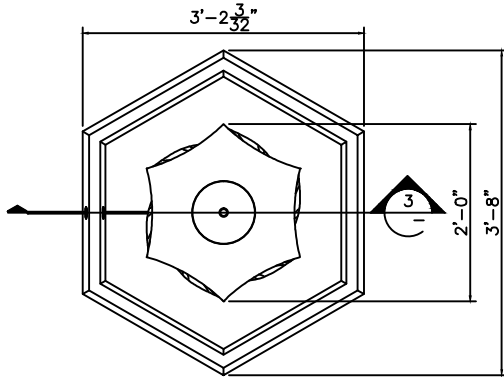
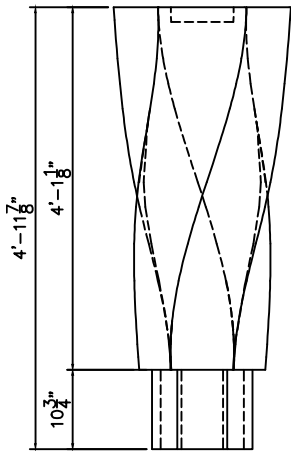


PARTS LIST

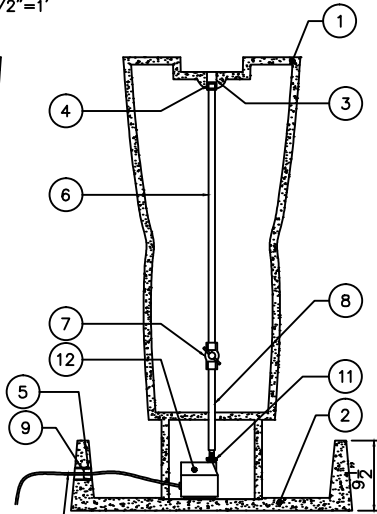
ITEM NO	COMPONENT	PART NO.	DESCRIPTION	MANUFACTURER	QTY	REMARKS
1	FOUNTAIN	-	59'-0" x 21"W x 21"L SPIRE FOUNTAIN - GFRC	GIST	1	COLOR OPTIONAL
2		-	21"W x 21"L x 12-3/4"D BASE - GFRC	GIST	1	COLOR OPTIONAL
3	TUBING	-	3/4" DIA PVC COUPLER SOCKET END	-	1	PRE-INSTALLED
4		-	3/4"x1/2" DIA PVC CONCENTRIC REDUCER SOCKET END	-	1	PRE-INSTALLED
5		-	1-1/4" DIA x 1-1/8"LG PVC PIPE SLEEVE PLAIN END	-	1	PRE-INSTALLED
6		-	1/2" DIA x 3'-5"LG PVC PIPE PLAIN END	-	1	PRE-INSTALLED
7	PARTS BAG	A100	1/2" DIA BALL VALVE PVC SCH. 40 150 PSI	-	1	
8		A100	5/8" I.D. x 10"LG TUBING - CLEAR VINYL PLAIN END	-	1	
9		A100	1-1/4" DIA RUBBER PLUG	-	1	
10		A100	SHIM PLASTIC	EZ - SHIM	4	
11	PUMP	-	1"x1/2" DIA ADAPTER THREADED	JEAN TECH INC.	1	
12		-	VA2600, 700 GPH SUBMERSIBLE PUMP	JEAN TECH INC.	1	



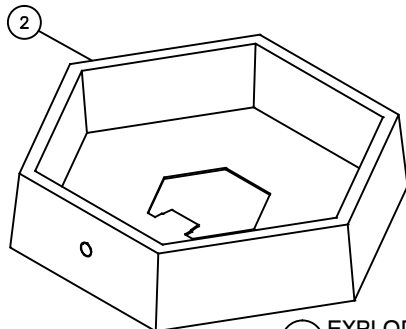
1 PLAN VIEW
SCALE: 1/2"=1'



2 ELEVATION
SCALE: 1/2"=1'



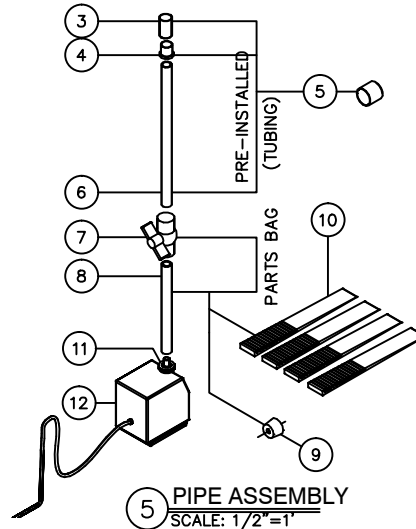
3 SECTION
SCALE: 1/2"=1'



4 EXPLODED VIEW
SCALE: 1/2"=1'

NOTE:

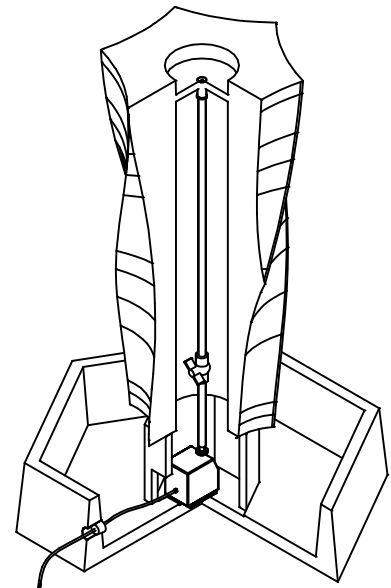
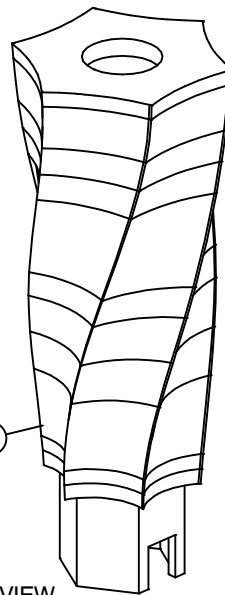
Electrical supply must conform with local & national regulation/codes. If in doubt consult an electrician.
To ease connections hot water may be used to soften PVC tubing. Pump and plumbing details may vary.
Precautions should be taken to prevent damage from water freezing in reservoir.



5 PIPE ASSEMBLY
SCALE: 1/2"=1'



6 ASSEMBLY
SCALE: 1/2"=1'



7 CUTAWAY
SCALE: 1/2"=1'

VORTEX FOUNTAIN

PRODUCT
VORTEX FOUNTAIN
DRAWING DATE
08-17-05

DWG NO. / SKU:
VRTX

SHEET NO. 1 OF 1

COPYRIGHT 2008 GIST DECOR 2012 GIST PRODUCTS ALL RIGHTS RESERVED

