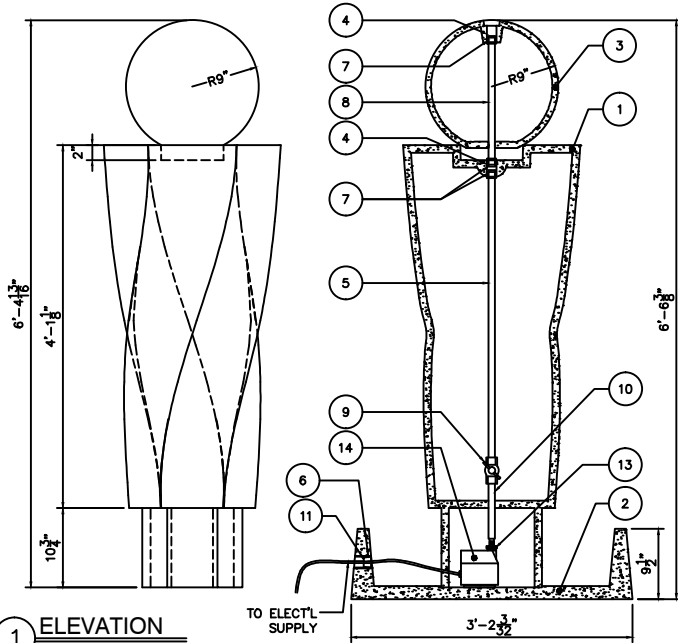


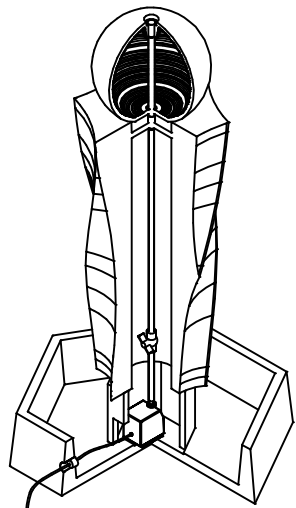
PARTS LIST

ITEM NO	COMPONENT	PART NO.	DESCRIPTION	MANUFACTURER	QTY	REMARKS
1	FOUNTAIN	-	59"-0" x 21"W x 21"L SPIRE FOUNTAIN - GFRC	GIST	1	COLOR OPTIONAL
2		-	21"W x 21"L x 12-3/4"D BASE - GFRC	GIST	1	COLOR OPTIONAL
3		-	18" DIA BALL - GFRC	GIST	1	COLOR OPTIONAL
4	TUBING	-	3/4" DIA PVC COUPLER SOCKET END	-	2	PRE-INSTALLED
5		-	1/2" DIA x 3'-5"LG PVC PIPE PLAIN END	-	1	PRE-INSTALLED
6		-	1-1/4" DIA x 1-1/8"LG PVC PIPE SLEEVE PLAIN END	-	1	PRE-INSTALLED
7		-	3/4"x1/2" DIA PVC CONCENTRIC REDUCER SOCKET END	-	1	PRE-INSTALLED
7	PARTS BAG	A119	3/4"x1/2" DIA PVC CONCENTRIC REDUCER SOCKET END	-	2	
8		A119	5/8" DIA x 2'-0"LG CLEAR VINYL PLAIN END	-	1	
9		A119	1/2" DIA BALL VALVE PVC SCH. 40 150 PSI	-	1	
10		A119	5/8" I.D. x 10"LG TUBING - CLEAR VINYL PLAIN END	-	1	
11		A119	1-1/4" RUBBER PLUG	GIST	1	
12		A119	SHIM PLASTIC	EZ - SHIM	7	
13	PUMP	-	1"x1/2" DIA ADAPTER THREADED	JEAN TECH INC.	1	
14		-	MODEL 7-WP3000 800 GPH SUBMERSIBLE PUMP	JEBAO	1	

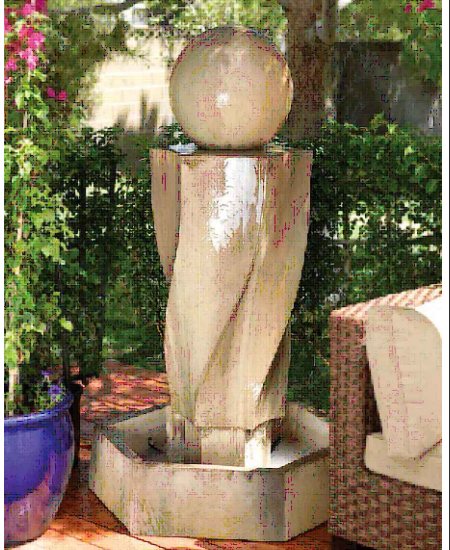


1 ELEVATION
SCALE: 1/2"=1'

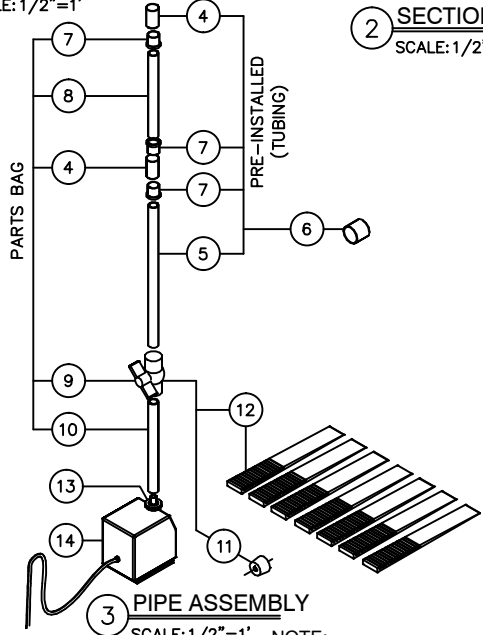
2 SECTION
SCALE: 1/2"=1'



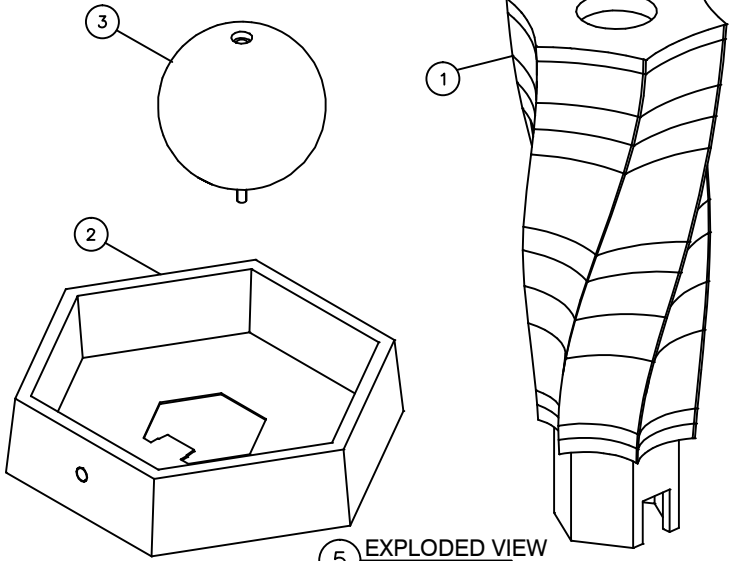
4 CUTAWAY
SCALE: 1/2"=1'



6 ASSEMBLY
SCALE: N.T.S.



3 PIPE ASSEMBLY
SCALE: 1/2"=1' NOTE:



5 EXPLODED VIEW
SCALE: 1/2"=1'



Electrical supply must conform with local & national regulation/codes. If in doubt consult an electrician.
To ease connections hot water may be used to soften PVC tubing. Pump and plumbing details may vary.
Precautions should be taken to prevent damage from water freezing in reservoir.

VORTEX FOUNTAIN WITH BALL	
PRODUCT VOTEX WITH BALL	DRAWING NO VRTX BALL
DRAWING DATE 08-02-05	SHEET. NO. 1 OF 1
COPYRIGHT 2008 GIST DECOR 2012 GIST PRODUCTS ALL RIGHTS RESERVED	