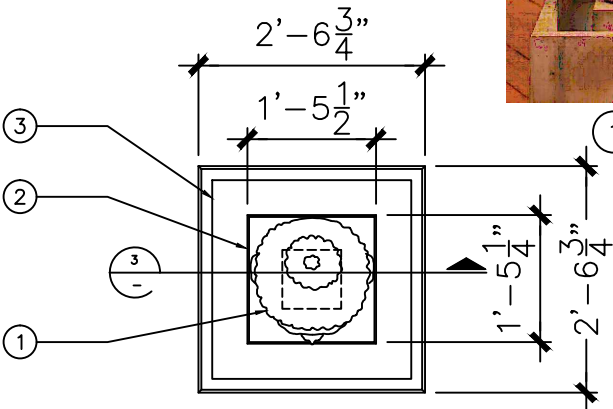
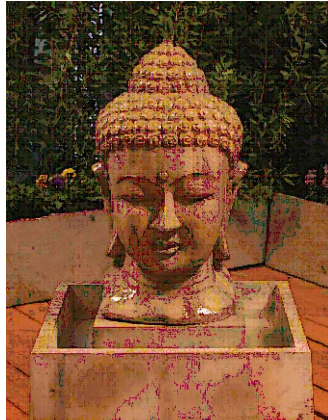
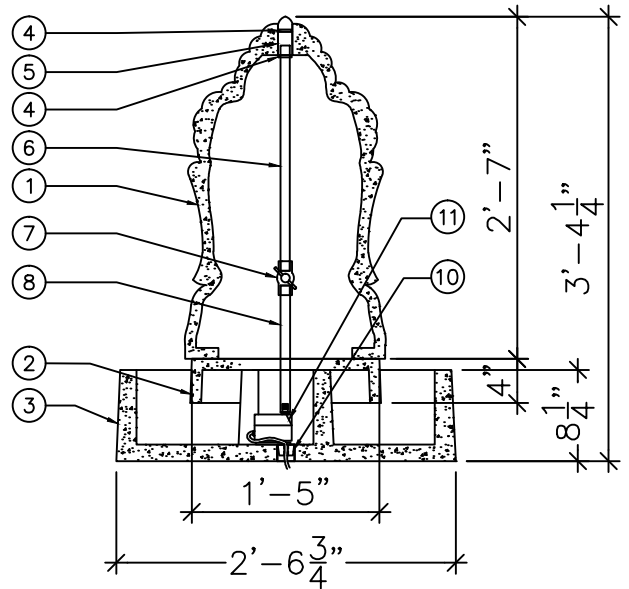
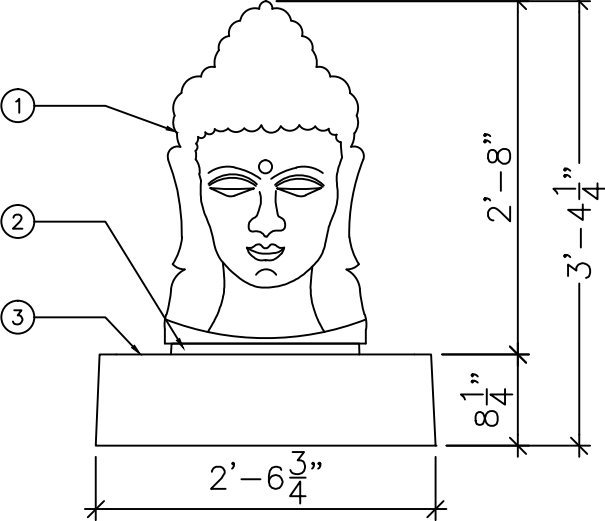


PARTS LIST

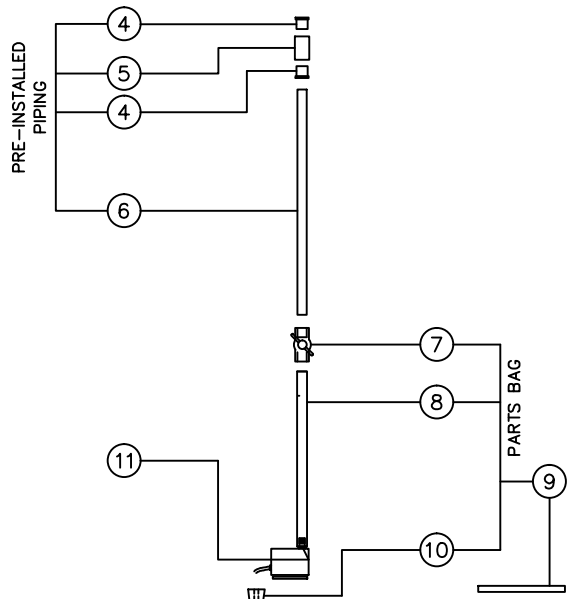
ITEM NO	COMPONENT	PART NO.	DESCRIPTION	MANUFACTURER	QTY	REMARKS
1	FOUNTAIN	-	32" H BUDDHA HEAD FOUNTAIN - GFRC	GIST	1	COLOR OPTIONAL
2		-	17" X 17" X 4" H RISER - GFRC	GIST	1	COLOR OPTIONAL
3		-	8-1/4" H X 2'-6-3/4" SQUARE SOLID BASE	-	1	COLOR OPTIONAL
4	TUBING	-	1/2" X 3/4" PVC REDUCER	-	2	PRE-INSTALLED
5		-	3/4" DIA PVC COUPLER	-	1	PRE-INSTALLED
6		-	1/2" DIA x 21" LG PVC PIPE PLAIN END	-	1	PRE-INSTALLED
7	PARTS BAG	A 100	1/2" DIA BALL VALVE	-	1	-
8		A 100	5/8" DIA. x 10" LG TUBING - CLEAR VINYL PLAIN END	-	1	-
9		A 100	PLASTIC SHIMS	EZ - SHIM	4	-
10		A 100	1-1/4" RUBBER PLUG	-	1	-
11	PUMP	-	MODEL 1.9 - PT505, 225 GPH	JEBAO	1	-
12						-



② PLAN  
SCALE: 1/2"=1'



⑤ PIPE ASSEMBLY  
SCALE: 3/4"=1'



NOTE:

Electrical supply must conform with local & national regulation/codes. If in doubt consult an electrician.

To ease connections hot water may be used to soften PVC tubing. Pump and plumbing details may vary.

Precautions should be taken to prevent damage from water freezing in reservoir.

BUDDHA HEAD FOUNTAIN

PRODUCT  
BUDDHA HEAD FOUNTAIN SMALL  
DRAWING DATE  
07-31-07

DWG NO. / SKU:  
BHEAD - SMALL  
SHEET NO. 1 OF 1