



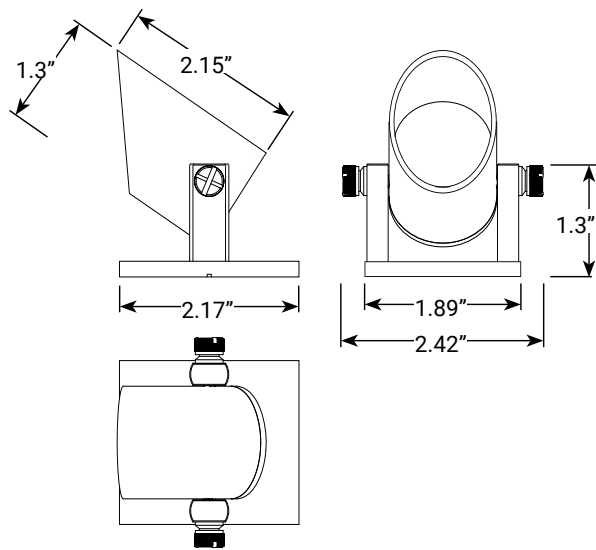
# Brass RGBW LED Underwater Lights Set of 3

## PRODUCT DESCRIPTION

Create a colorful underwater display for clients with this set of 3 pre-wired color changing LED underwater lights. The color-changing feature is unlocked using the ONE RGBW Remote Control (only one remote control is required to control multiple RGBW spotlights). The three lights come permanently wired together, saving you time and effort on your next project. Despite their compact size, each light packs a punch, illuminating ponds and fountains with a powerful 80 lumens of output. Built for durability, these lights have a solid brass construction, pre-aged bronze finish, and boast an IP68 rating, guaranteeing complete submersion and water resistance. Non-skid rubber pads on each light provide additional stability.



## PRODUCT DIMENSIONS



## SPECIFICATIONS

- ▶ Construction: Brass
- ▶ Finish: Bronze
- ▶ Lead Wire: 18AWG lead wire
- ▶ Mounting: Non-skid rubber pads prevent fixtures from moving
- ▶ Lens: Clear Flat Glass
- ▶ Light Source: Integrated LED
- ▶ Operating Voltage: 12VAC
- ▶ Powered by: Low Voltage Transformer

## WARRANTY

Lifetime Warranty

## CERTIFICATIONS



File #E466348



File #E466348

## FEATURES & BENEFITS

- ▶ Three miniature LED fixtures permanently wired together for fast and easy installation.
- ▶ Cast brass construction with antique bronze finish for longevity and beauty.
- ▶ Non-skid rubber pads prevent fixtures from moving.
- ▶ May be installed in very shallow water (3" or more).
- ▶ Fully brass fixture for underwater longevity. No plastic thumb screws that will break down over time
- ▶ Requires RGBW Remote Control for color modes. One remote controls all RGBW fixtures