

PRODUCT SPECIFICATIONS



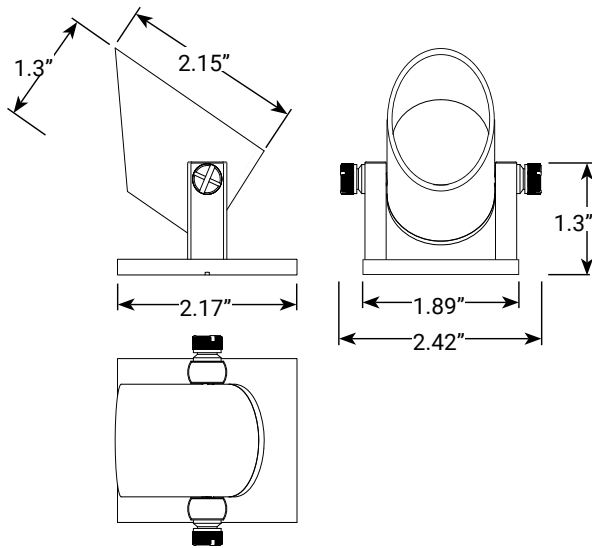
Brass RGBW LED Underwater Light

PRODUCT DESCRIPTION

With 80 lumens of output of a warm 2700K glow, this underwater light also features color changing capabilities to give clients the ultimate customization of their pond and fountain illumination. With a solid brass construction, pre-aged bronze finish, IP68 rating ensuring that this fixture is fully submersible and protected against water, and backed by our lifetime warranty, this fixture provides peace of mind for both you and your clients. The color-changing feature is unlocked using the ONE RGBW Remote Control (only one remote control is required to control multiple RGBW lights).



PRODUCT DIMENSIONS



SPECIFICATIONS

- ▶ Construction: Brass
- ▶ Finish: Bronze
- ▶ Lead Wire: 25' 18AWG lead wire
- ▶ Mounting: Non-skid rubber pads prevent fixtures from moving
- ▶ Lens: Clear Flat Glass
- ▶ Light Source: Integrated LED
- ▶ Operating Voltage: 12VAC
- ▶ Powered by: AMP's Low Voltage Transformer

WARRANTY

Lifetime Warranty

CERTIFICATIONS



File #E466348



File #E466348

FEATURES & BENEFITS

- ▶ Color-changing integrated LED light source
- ▶ 80 lumen output at 2700K warm white color.
- ▶ Non-skid rubber pads prevent fixtures from moving.
- ▶ May be installed in very shallow water (3" or more).
- ▶ Fully brass fixture for underwater longevity. No plastic thumb screws that will break down over time
- ▶ Requires RGBW Remote Control for color modes. One remote controls all RGBW fixtures